

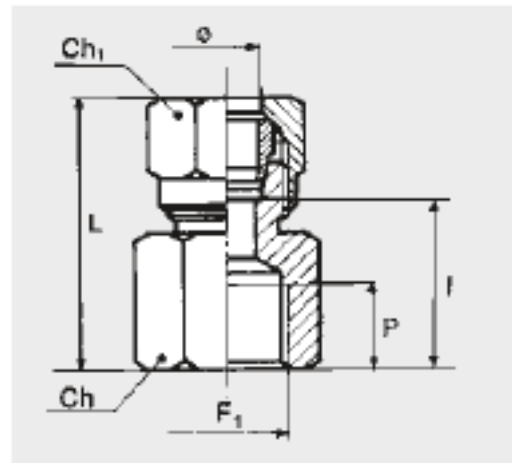
Straight Female (B2) Code- 2202005

- Body: OT58 brass
- Maximum pressure 870 psi, 6000 kPa 60 bar
- For use with copper tubes

GENERAL ATTRIBUTES

■ Ref.	: B2
■ Ø	: 8/6
■ F1	: 3/8
■ CH	: 22
■ CH1	: 14
■ P	: 10
■ L	: 36
■ I	: 22.5

COMPONENTS



Wiring Diagram

TECHNICAL DATA

For further information please visit : <https://goo.gl/TPYAnf>

