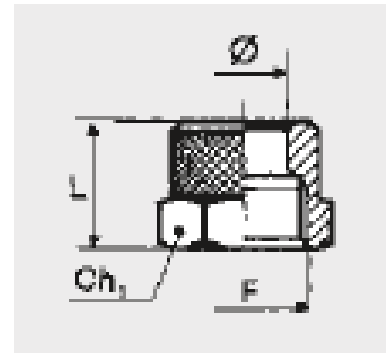


## Nut (C10) Code- 2310001

- Body: OT58 brass
- Maximum pressure 261 psi, 1800 kPa 18 bar

### GENERAL ATTRIBUTES

■ Ref.	: C10
■ Ø	: 4/2
■ F	: M7x0.5
■ Ch1	: 9
■ L	: 9



Wiring Diagram

### COMPONENTS

### TECHNICAL DATA

For further information please visit : <https://goo.gl/TPYAnf>

