

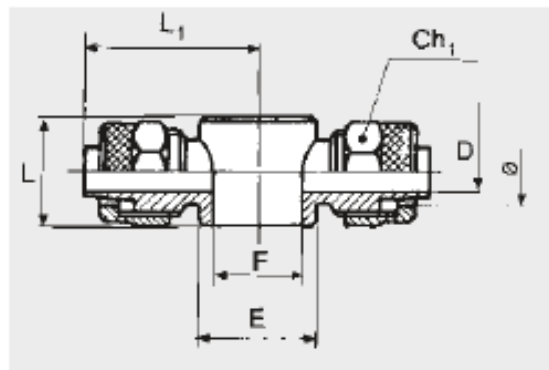
Double Banjo Body (D6) Code- 2406011

- Body: OT58 brass
- Maximum pressure 261 psi, 1800 kPa 18 bar

GENERAL ATTRIBUTES

■ Ref.	: D6
■ Ø	: 12/10
■ F	: 1/2
■ Ch1	: 19
■ L	: 24
■ L1	: 33.5
■ D	: 8.5
■ E	: 26

COMPONENTS



Wiring Diagram

TECHNICAL DATA

For further information please visit : <https://goo.gl/TPYAnf>

