

## Y Technopolymer Threaded Input Code- 2L23415

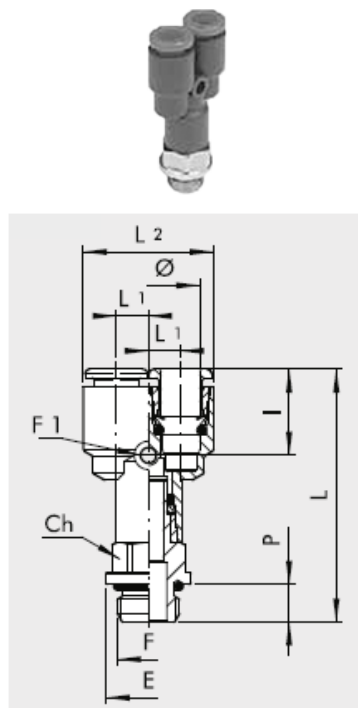
Push-in fittings by Metal Work are the best elements for connecting pipes and actuators. Quick and easy to use, the Metal Work push-in fitting can be re-used thousands of times without affecting the pneumatic and mechanical seal in any way. It comes in various configurations and guarantees a virtually unlimited, highly flexible use. The clamping spring with its special shape grips the pipe without scratching or deforming it, which facilitates release. In the fittings, the release bushing has patented screwdriver slots to facilitate release in applications not accessible to the fingers. Configurations RL19, RL21, RL22, RL23, RL23M, RL24, RL44, and RL49 (except for Ø5), have a ring for fixing to the wall asymmetrically in order to contain the head of a screw within the overall dimensions of the fitting.

### GENERAL ATTRIBUTES

■ Rif.	: RL23/M
■ Diameter (Ø)	: 10
■ F	: 3/8
■ length (L)	: 56
■ L 1	: 8.3
■ L 2	: 32.6
■ I	: 17.4
■ CH	: 17
■ P	: 9
■ E	: 20
■ F1	: 3.3

### COMPONENTS

- Ring or release bushing: technopolymer
- Locking bushing: brass or technopolymer
- Body: brass or technopolymer
- Clamping spring: stainless steel (for pipes Ø 3 and Ø 3.17 and R31 Ø 5 and R32 Ø 5: brass gripper)
- Spring supporting ring: technopolymer
- Seal: NBR



Wiring Diagram

### TECHNICAL DATA

- Threaded coupling : M3 - M5 - M7 - 1/8" - 1/4" - 3/8" - 1/2"
- Diameter mm : Ø 3 - Ø 3.17 - Ø 4 - Ø 5 - Ø 6 - Ø 8 - Ø 10 - Ø 12 - Ø 14
- Temperature range for brass fittings °C : - 20 to + 80
- Temp. range for technopolymer fittings °C : - 20 to + 60
- Pressure range for brass fittings : - 0.99 bar ... 16 bar / - 0.099 MPa ... 1.6 MPa
- Pressure range for technopolymer fittings : - 0.99 bar ... 12 bar / - 0.099 MPa ... 1.2 MPa
- Recommended pipe : Rilsan PA 11 - Nylon 6 - Polyamide 12 - Polypropylene
- Fluid : Vacuum - Compressed air

For further information please visit : <https://goo.gl/TPYAnf>

