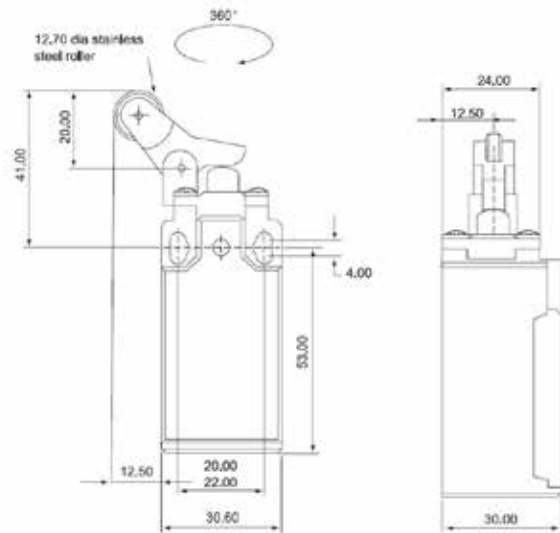


Limit Switch, Code : CLS-127

A limit switch is an electromechanical device that consists of an actuator mechanically linked to a set of contacts. When an object comes into contact with the actuator, the device operates the contacts to make or break an electrical connection. They are used for controlling machinery as part of a control system. CLS-127 is Economical & plastic type Stainless steel roller, punch and spring with Swing amplitude, extra large $\pm 95^\circ$ having Standard size configuration M20x1.5 for conduit connector.

General Attributes

- Operating force : 700g
- Release force : 200g
- Pre-travel : 1.8mm
- Tripping position : 2.0mm
- Movement differential : 1.2mm
- Over travel : 4.0mm
- Total travel : 5.8mm
- Double Break Mechanism : INO+INC Force Break snap action
- Rated Voltage / Current : 10(4)A, 125, 250VAC
6(2)A, 380VAC For inductance Load, Cos $\phi=0.4$
- Contact Resistance : 25m Ω max. (initial value)
- Insulation Resistance : 100m Ω min. (at 500VDC)
- Dielectric Strength : 1000VAC, 50/60 HZ for 1 minute between terminals of the same polarity
- Electrical Life : 500, 000 at 10A
250VAC Resistive
- Mechanical Life : 10, 000, 000 operations min. (under rated conditions)
- Operating Speed : 5mm/s to 0.5m/s
- Degree of Protection : IP65
- Ambient Temperature Rised : Max 30°C over ambient temperature at rated voltage/current
- Operating Temperature : -5°C~+65°C
- Storage Temperature : -5°C~+65°C
- Ambient Operating Humidity: 95% RH Max.
- Shock Resistance : Mechanical durable : 1000m/s² min.
300m/s² min.
- Malfunction : 300m/s² min.
- Vibration Frequency : Malfunction: 10 to 55Hz 1.5mm double amplitude
- Terminal Screw Torsional Force : 6-8 kgf-cm
- Other Screw Torsional Force : Cover 12-14 kgf-cm\
Head 8-9 kgf-cm
Mounting 50-60 kgf/cm
- Bare Wire Diameter : $\phi 2$ Max.
- Cable Diameter : $\phi 12$ Max



Application Notes

As a safety interlocks, detection of presence or absence, passing, positioning, and end of travel of an object.

Injection molding machinery, PLC interface, machine tool equipment, elevators, escalators and moving stairs, gaming machines, material handling, packaging and textile equipment, food and beverage machinery, industrial doors, scissor and platform lifts, electronic assembly equipment.

Presence/absence detection where physical contact with an object is permissible, such as overhead cranes and hoists, packaging and earth moving equipment, stamping machines, conveyors, surface transportation and textile machinery, printing equipment and farm machinery.

For further information please visit : <https://goo.gl/qcMBKu>

