

## DIN Rail Mount Power supply, Code- BAE00M0

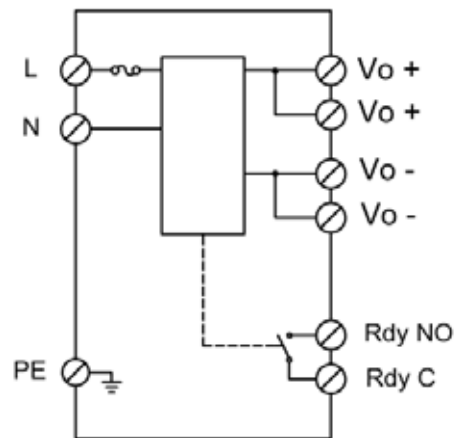
Balluff's Short-circuit-proof, single or triple-phase power supplies for automation are approved according to CE/TÜV, UL and CCC. Different voltages of 12 V, 24 V and 48 V can be selected. The most important features: top-hat rail assembly, status display, regulatable output voltage, parallel connection, ready and alarm output. Output power of 18 to 960W. Protection class IP20.

### General Attributes

- Dimension : 83.5 x 124.5 x 116.6 mm
- Connection : 0.25 mm<sup>2</sup>...4 mm<sup>2</sup>
- Setting range : 22.5...28.5 V DC
- Switching frequency : 40000 Hz
- Input voltage : 115/230 V AC automatic selection, 1-phase
- Rated output current : 12.5 A
- Output voltage : 24 VDC
- Ambient temperature : -30...70 °C
- Storage temperature : -40...85 °C
- Temperature Coefficient max : ±0.03 %/K
- Housing material : Metal
- Isolation resistance : ≥ 100 Ohm
- Basic standard : EN 61204
- Protection type IEC 60529 : IP20

### Application Notes

- ☒ For power supply in PLCs
- ☒ In the automobile industry
- ☒ Television receivers as a switch-mode power supply
- ☒ For Powering of LED circuits
- ☒ For Central power distribution



Wiring diagram

For further information please visit : <https://goo.gl/xvwavK>

