

## DIN Rail Mount Power supply, Code- BAE0006

Balluff's Short-circuit-proof, single or triple-phase power supplies for automation are approved according to CE/TÜV, UL and CCC. Different voltages of 12 V, 24 V and 48 V can be selected. The most important features: top-hat rail assembly, status display, regulatable output voltage, parallel connection, ready and alarm output. Output power of 18 to 960W. Protection class IP20.

### General Attributes

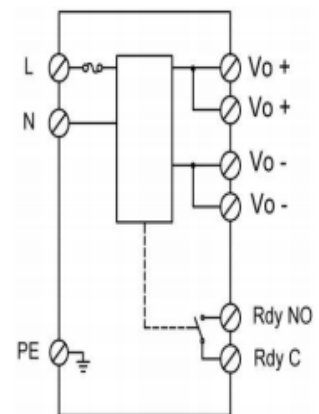
- Dimension : 64 x 124.5 x 116.6 mm
- Connection : 0.25 mm<sup>2</sup>...4 mm<sup>2</sup>
- Setting range : 22.5...28.5 VDC
- Switching frequency : 55000 Hz
- Input voltage : 115/230 V AC automatic selection, 1-phasig
- Output voltage : 24 VDC
- Ambient temperature : -35...70 °C
- Storage temperature : -40...85 °C
- Protection type IEC 60529 : IP20
- Short description : Switching power supply
- Housing material : Metal
- Over temperature : Protected

### Application Notes

- For power supply in PLCs
- In the automobile industry
- Television receivers as a switch-mode power supply
- For Powering of LED circuits
- For Central power distribution



Wiring diagram



For further information please visit : <https://goo.gl/77M0Nj>