

Ultrasonic sensors with analog output, Code- BUS005W

Position detection or object detection in solid, powdery and fluid media – they count and monitor the presence of objects without contact. Universally applicable, they work independently of color and surface texture. Fog, dust and impurities are not a problem for them. Their high resolution and small blind spots guarantee the highest precision. Ultrasonic sensors distinguish themselves by means of their output signal.

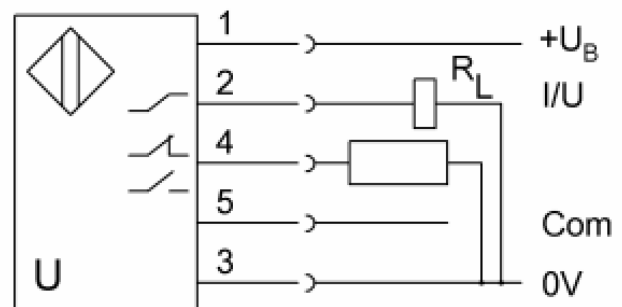
General Attributes

- Measuring Range : 200...5000 mm
- Connection : M12x1-Male
- Operating voltage U_B : 9...30 VDC
- Switching frequency : 5 Hz
- Switching output : PNP NO/NC
- Ambient temperature : -25...70 °C
- Storage temperature : -40...85 °C
- Housing material : Stainless steel
(1.4571) PBT TPU
- Ultrasonic Frequency : 180 kHz
- Rated operating distance S_n : 1300 mm
- IP rating per IEC 60529 : IP67
- Material sensing surface : PTFE



Application Notes

- Distance measurement
- Indicate the position of objects and materials.
- Determine the dimensions of objects such as height, width and diameter.
- level control for caustic liquids
- loop control
- Roll diameter, tension contro
- Distance measurement



Wiring diagram

For further information please visit : <https://goo.gl/RXUXHF>

We are the authorized distributor of Balluff in Bangladesh.