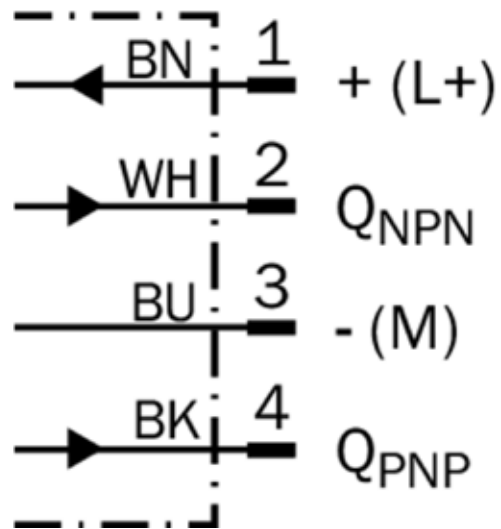


## Fork sensors WFL Code : WFL80-40B416

A Photoelectric Sensor consists primarily of an Emitter for emitting light and a Receiver for receiving light. When emitted light is interrupted or reflected by the sensing object, it changes the amount of light that arrives at the Receiver. The Receiver detects this change and converts it to an electrical output. These sensors are made of light sensitive parts. This makes them useful in detecting the light emitters or any type of light source. There are various types of this sensor. Majorly they utilize the phenomena of reflection of light in which emitter and receiver together detect the reflection of light that strikes the object. In some other cases they spot any disturbance due to the target in the beam of light.

### General Attributes

- Dimensions (WxHxD) : 10 mm x 118.5 mm x 47 mm
- Housing design : Fork shaped
- Fork width : 80 mm
- Fork depth : 42 mm
- Min. detectable object : 0.05 mm
- Light source : Laser, visible red light
- Wave length : 670 nm
- Adjustment : Plus/minus button
- Supply voltage : 10 V DC ... 30 V DC
- Output type : PNP/NPN
- Switching output : Light/dark switching
- Connection type : Connector M8, 4-pin
- Housing material : Aluminum
- Ambient operating temp.: -20 °C ... +50 °C
- Ambient storage temp.: -30 °C ... +80 °C



Connection diagram

### Application Notes

- Detects Presence of Transparent Films
- Detects Transparent Bottles
- Warning Alarm For Bottles
- Validation of cigarette Paper
- Prevention of entry into restricted area

For further information please visit : <https://goo.gl/4u2RTE>

We are the authorized distributor of SICK in Bangladesh.