

Photoelectric Sensor Tube Code : QMRL/0P-0A

Photoelectric sensors are ideal for the detection of differences in contrast. They detect objects depending on their surface, color and material. They are inexpensive, easy to mount and align. Diffuse sensors with background suppression ensure reliable detection regardless of the surface, color and material. Their pulse width is almost constant, even with different reflectance.

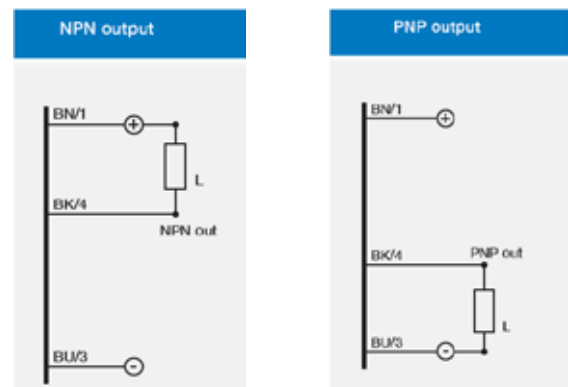
General Attributes

- Normal Sensing Range : 4 m
- Min Sensing Range : 0.4 m
- emission : red (630 nm)
- operating voltage : 10....30 Vdc
- no-load supply current : 30 mA
- load current : ≤ 100 mA
- Operating temperature range : - 25°C...+ 70°C
(without freeze)
- temperature range : - 30°C...+ 80°C
- output type : PNP/NPN NO/NC
- protection degree : IP67 (EN60529)
- housing material : PA66
- plug : M12



Application Notes

- Counts Clear Plastic in High Speed
- Detects Transparent Bottles
- Warning Alarm For Bottles
- Validation of cigarette Paper
- Prevention of entry into restricted area



electrical diagrams

For further information please visit : <https://goo.gl/CmpksG>

We are the authorized distributor of Micro Detector in Bangladesh.

