

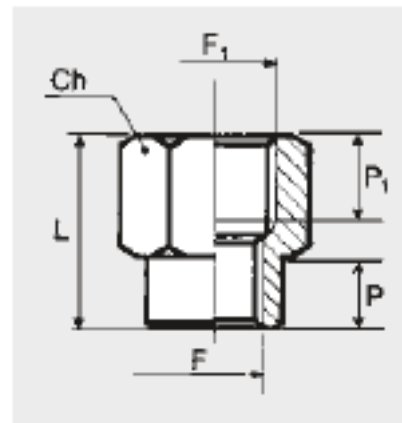
Reducer Code- 2106001

Body: OT58 brass • Maximum pressure 870 psi, 6000 KPa 60 bar.

GENERAL ATTRIBUTES

■ Ref.	: A6
■ F	: 1/8
■ F1	: 1/4
■ CH	: 17
■ P	: 8
■ P1	: 8
■ L	: 21

COMPONENTS



Wiring Diagram

TECHNICAL DATA

For further information please visit : <https://goo.gl/TPYAnf>

