

Techsense Bangladesh Ltd

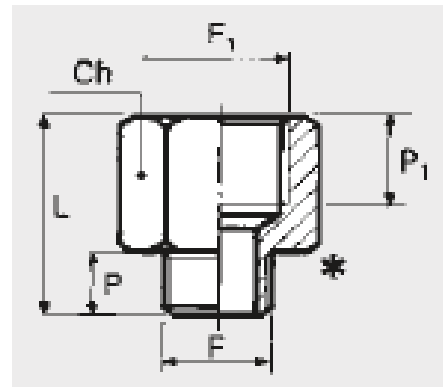
Reducer, Parallel (A5/z) Code- 2152001

Body: OT58 brass • Maximum pressure 870 psi, 6000 KPa 60 bar.

GENERAL ATTRIBUTES

■ Ref.	: A5/Z
■ F	: M5
■ F1	: 1/8
■ CH	: 12
■ P	: 4
■ P1	: 7
■ L	: 17

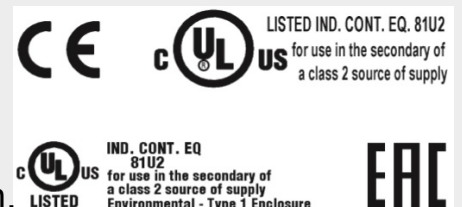
COMPONENTS



Wiring Diagram

TECHNICAL DATA

For further information please visit : <https://goo.gl/TPYAnf>



We are the authorized distributor of Metal Work in Bangladesh.