

Techsense Bangladesh Ltd

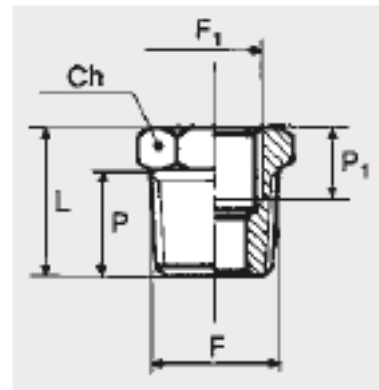
Reducer Conical Code- 2104004

Body: OT58 brass • Maximum pressure 870 psi, 6000 KPa 60 bar.

GENERAL ATTRIBUTES

- Ref. : A4
- F : 1/2
- F : 1/4
- CH : 22
- P : 14
- P1 : 8
- L : 20

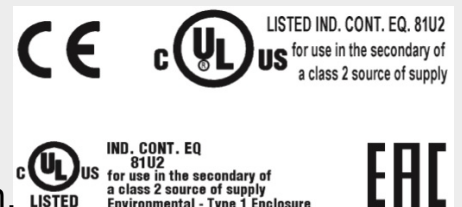
COMPONENTS



Wiring Diagram

TECHNICAL DATA

For further information please visit : <https://goo.gl/TPYAnf>



We are the authorized distributor of Metal Work in Bangladesh.