

In-line Shutoff Valve, Code- 9065024

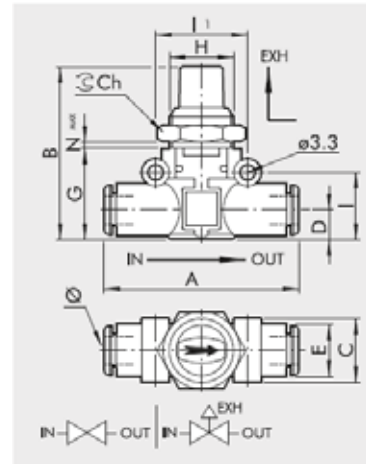
V2V L and V3V L shutoff valves belong to the LINE ON LINE® family which means they can be connected to all the other components in series or in parallel. Available in the version for pipe-pipe connection with two push-in fittings, and in the version for thread-pipe connection with a brass nickelplated male thread and a push-in fitting. V2V is a two-way unidirectional valve, while V3V is a three-way valve with free discharge in the area around the control knob. The locked version is probably the smallest available on the market. A lock is provided to ensure the valve is kept in the closed position during machine maintenance. The valve is supplied complete with a lock and two keys.

GENERAL ATTRIBUTES

- Ref. : V2VL8-8
- Ø : 8
- A : 57.3
- B : 46
- C : 18.7
- D : 9.1
- E : 13.8
- G : 26
- H : M15x1
- I : 18.7
- I2 : 24
- CH : 17
- Nmax : 5.5

COMPONENTS

- Technopolymer body
- Nickel-plated brass insert
- Brass rod
- Technopolymer knob
- NBR valve
- Stainless steel valve compression spring
- Nickel-plated brass wall-mount ring nut



Wiring Diagram

TECHNICAL DATA

- Operating pressure MPa : 1 / bar: 10 / psi: 145
- Temperature range °C : - 20 to + 60
- Flow rate at 6.3 bar ΔP 1 bar NI/min : 280 / 470
- Exhaust flow rate at 6.3 bar NI/min : 110
- Recommended pipe : Rilsan PA11 - Nylon 6 - Polyamide 12 - Polypropylene

For further information please visit : <https://goo.gl/TPYAnf>

