

# Techsense Bangladesh Ltd

## Line Mounted Miniature Reducer , Code- 9061324

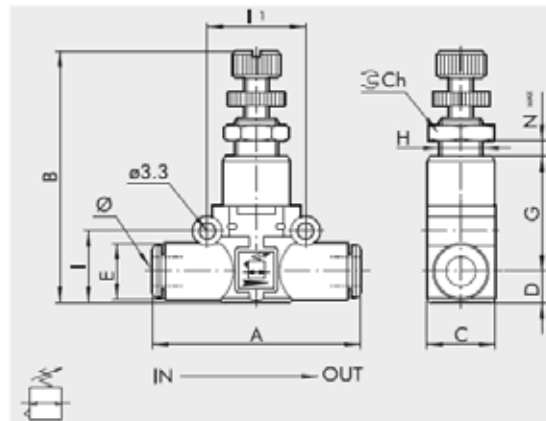
The RML R miniature pressure regulator belongs to the LINE ON LINE® family and can be connected in series or in parallel with all the other products. The miniature pressure regulator is available in five different types: • In-line with push-in input and output fitting • In-line with threaded input port and push-in output fitting • In-line with push-in input fitting and threaded output port • At an angle with threaded input port and push-in output fitting • Cartridge type for direct assembly in suitably worked slot. The miniature pressure regulator is fitted with a relief valve for over-pressure exhaust. • Particularly suitable for use between the valve and actuator and as a pressure regulator in secondary branches of the pneumatic system. The data in brackets refer to the angle version.

### GENERAL ATTRIBUTES

- Ref. : SOV L 3/2 NC 8-8
- Ø : 8
- A : 57.3
- B : 52 - 58
- C : 18.7
- D : 9.1
- E : 13.8
- G : 27.4
- H : M11x1
- I : 18.7
- I1 : 24
- CH : 13
- Nmax : 3.8

### COMPONENTS

- Technopolymer body (brass for RMC)
- Nickel-plated brass insert
- Nickel-plated brass adjusting screw
- Steel adjusting spring
- Brass piston rod
- NBR shutter
- Stainless steel shutter spring
- Stainless steel crimping spring

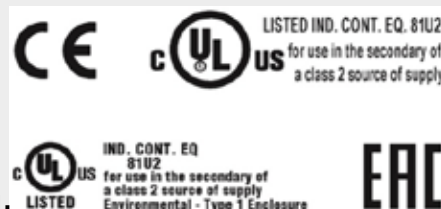


Wiring Diagram

### TECHNICAL DATA

- Threaded ports : 1/8" - 1/4" - 3/8"
- Pipe coupling : Ø 8
- Regulation range : 1 to 8 bar - 0.1 to 0.8 MPa - 14.5 to 116 psi
- Inlet pressure MPa : 0.2 - 1
- Flow rate at 6.3 bar (0.63 MPa - 91 psi) ΔP 1 bar NI/min : 260
- Flow rate on exhaust at 6.3 bar (0.63 MPa - 91 psi) : 600
- Fluid : Lubricated or unlubricated filtered air
- Max. temperature at 1 MPa; 10 bar; 145 psi °C : - 20 to + 60

For further information please visit : <https://goo.gl/TPYAnf>



We are the authorized distributor of Metal Work in Bangladesh.