

# MINIATURE REDUCER/ECONOMIZER, SERIES RML, RMC AND RMS

The RML R miniature pressure regulator belongs to the LINE ON LINE family and can be connected in series or in parallel with all the other products. The miniature pressure regulator is available in five different types:

- In-line with push-in input and output fitting
- In-line with threaded input port and push-in output fitting
- In-line with push-in input fitting and threaded output port
- At an angle with threaded input port and push-in output fitting
- Cartridge type for direct assembly in suitably worked slot. The miniature pressure regulator is fitted with a relief valve for over-pressure exhaust.
- Particularly suitable for use between the valve and actuator and as a pressure regulator in secondary branches of the pneumatic system.

The data in brackets refer to the angle version.

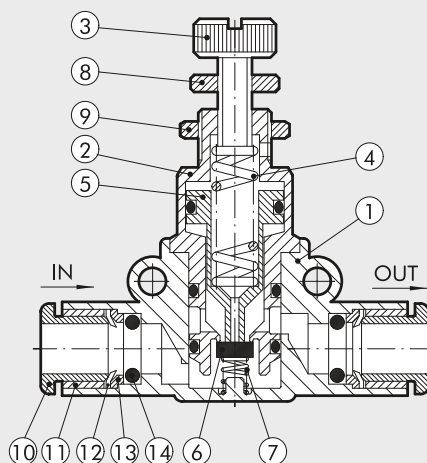


TECHNICAL DATA	RML Ø 6	RMC 1/8	RMS 1/8	RML Ø 8	RMC 1/4	RMS 1/4
Threaded ports	1/8"-1/4"	1/8"	1/8"	1/8"-1/4"-3/8"	1/4"	1/4"
Pipe coupling	Ø 6	Ø 4-Ø 6-Ø 8	-	Ø 8	Ø 6-Ø 8-Ø 10	-
Regulation range	1 to 8 bar - 0.1 to 0.8 MPa - 14.5 to 116 psi					
Inlet pressure	MPa	0.2 - 1				
	bar	2 - 10				
	psi	29 - 145				
Flow rate at 6.3 bar (0.63 MPa - 91 psi) ΔP1 bar	NI/ min	150				260
Flow rate on exhaust at 6.3 bar (0.63 MPa - 91 psi)		400				600
Fluid	Lubricated or unlubricated filtered air					
Max. temperature at 1 MPa; 10 bar; 145 psi	°C	- 20 to + 60				
	°F	- 4 to + 140				
Assembly position	Available					
Notes	In the miniature regulator the pressure must always be set upwards					
Compatibility with oils	Please refer to page 6-7 of the technical documentation					

## COMPONENTS

- ① Technopolymer body (brass for RMC)
- ② Nickel-plated brass insert
- ③ Nickel-plated brass adjusting screw
- ④ Steel adjusting spring
- ⑤ Brass piston rod
- ⑥ NBR shutter
- ⑦ Stainless steel shutter spring
- ⑧ Adjusting screw ring nut
- ⑨ Nickel-plated brass wall ring nut
- ⑩ Technopolymer release bushing
- ⑪ Technopolymer stop bushing (brass for RMC)
- ⑫ Stainless steel crimping spring
- ⑬ Technopolymer spring ring
- ⑭ NBR gasket
- ⑮ Nickel-plated brass rotating ring

RML



RMC

