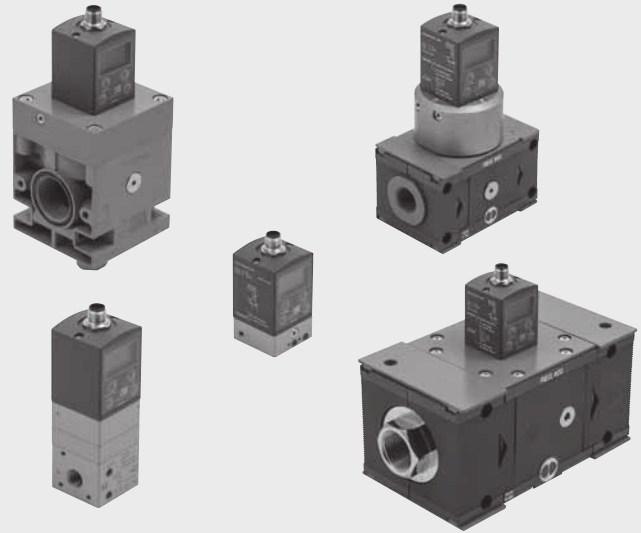


# PROPORTIONAL PRECISION PRESSURE REGULATOR REGTRONIC SERIES

Proportional pressure regulators series REGTRONIC have the job of precisely regulating the pressure in a system, the variables depending on the input command. Remote control regulators are controlled by means of an M12x1 cable and connector and can have 4-20 mA or RS232 control. Regulators with a display can be controlled via a cable or directly using the keys below the display. The pressure value and a series of information and diagnostics are visible at all times on the graphic display.

The user-display interface, LEDs and buttons are all on one side. The programming and reading software is comprehensive, simple and intuitive. Pressure control takes place in a "closed-loop" with an electronic precision pressure sensor that measures the downstream pressure, a control system that compares it with the desired pressure, and two mini solenoid valves that adjust the pressure to reach the target value.



TECHNICAL DATA	REGTRONIC			REGTRONIC NEW DEAL			REGTRONIC 300			REGTRONIC 400		
	M5	1/8"	1/4"	3/4"	1"	1/2"	3/4"	1"	1"	1 1/4"	1 1/2"	2"
Threaded port	M5   1/8"   1/4"   3/4"   1"   1/2"   3/4"   1"   1"   1 1/4"   1 1/2"   2"											
Fluid	Filtered, unlubricated air. The air must be filtered at least 10 µm											
MIN inlet pressure	Regulation pressure + 1 bar											
MAX inlet pressure	11											
Temperature range	0 - 50											
Pressure regulation range	0.05 - 10 (settable full scale and minimum pressure)											
Flow rate at 6.3 bar ΔP 0.5	10	770	1490	10000			4500			18000		20000
Flow rate at 6.3 bar ΔP 0.1	10	1050	1700	13000			7000			-		-
Exhaust flow rate at 6.3 bar with 0.1 bar overpressure	2	320	500	1800			250			400		400
Exhaust flow rate at 6.3 bar with 0.5 bar overpressure	9	650	1200	2000			500			850		850
Weight	0.2	0.38	0.38	1.3			1.5			5		5.8
Class of protection	65											
Power supply	24 Vcc +10% -5% I max 110 mA											
Input signal (input impedance)	0 - 5 Vcc, 0 - 10 Vcc (approx. 6.3 KΩ)											
	4 - 20 mA (approx. 100 Ω)											
	Serial ports											
	Manual											
	Keypad											
Output signal	0 - 10 Vcc (1 V=1bar) - 1 mA max											
	PNP open collector output: max 24V 60 mA											
	NPN open collector output: max 24V 60 mA											
Linearity	≤ ± 0.5% (Full scale)											
Hysteresis	≤ ± 0.2% (Full scale)											
Repeatability	≤ ± 0.2% (Full scale)											
Sensitivity/Dead-band	setting range 10 - 100 mbar											
Output pressure (display version)	Accuracy											
	Unit of measurement											
	Minimum resolution											
Analog output accuracy	0.01 bar - 0.001 MPa - 0.01 psi											
Temperature characteristics	≤ ± 0.4% (Full scale)											
Response time with ΔP =1 bar	max 2 mbar / °C											
	volume 100 cc						volume 1000 cc					
from 6 to 7 bar	s	0.5	0.2	0.3	0.3	0.45	0.35					
from 7 to 6 bar	s	0.55	0.3	0.3	0.3	0.45	0.7					
Installation position	In any position											
Notes	The features shown refer to the static condition only. With air consumption on the output side, the pressure may vary. On all versions you can set the parameters using the software "MWRregtronic" downloadable from the website <a href="http://www.metalwork.eu">www.metalwork.eu</a> . To connect the PC to Regtronic you can use the cable code W0970513019 (see page 3-220).											