

C2PNKM4

In the world of electrical devices, a switch is an electrical part that, in essence, will stop an electrical current. It interrupts the flow of electricity and redirects it from one conductor to another. Pushbutton switches are small mechanisms that finish the flow of electricity when they are pressed down. When a pushbutton switch is in the on position, a spring inside the electrical device will make contact with wires that will allow the current to flow. Then, when the pushbutton switch is again depressed, the spring will pull back, stopping or interrupting the flow of electricity, and this stops the machine. Pushbutton switches come in two different types, momentary and non-momentary.

Model Designations

① Fixed hole diameter: C2=22φRound、C3=30φRound

② Types:

SNS=Short handle knob、SNL=Long handle knob

SNK=key knob、PNF=flat head、PNH=convex head

PNM3=30mm big head、PNM4=40mm big head

PNM6=60mm big head、PNR3=30mm Emergency stop head

PNR4=40mm big head、PNR6=60mm Emergency stop head、

PNKM4=Emergency stop knob、PND=Double with lamp button

PNP=Tensile switch、PIF=Flat ribbon lamp button

PIH=Convex head with lamp button、PIM4=big head with lamp button、

PID= Double button、SIS=Short shank with lamp knob

SIS=Long handle with lamp knob、LIF=Standard type indicating lamp

LUF=circular type indicating lamp、MN=Monolever Switch

③ Operation type: Pushbutton Switch: Blank=Self-resetting、D=Self-locking

Knob Switch、Monolever Switch: F2=2 to the self-locking、F3=3 to the self-locking、

F4=4 to the self-locking、T2=2 to reset、T3=3 to reset、T4=4 to reset

④ Contact: 1A=1NO、1B=1NC、1C=1A1B、1D=1A+1B

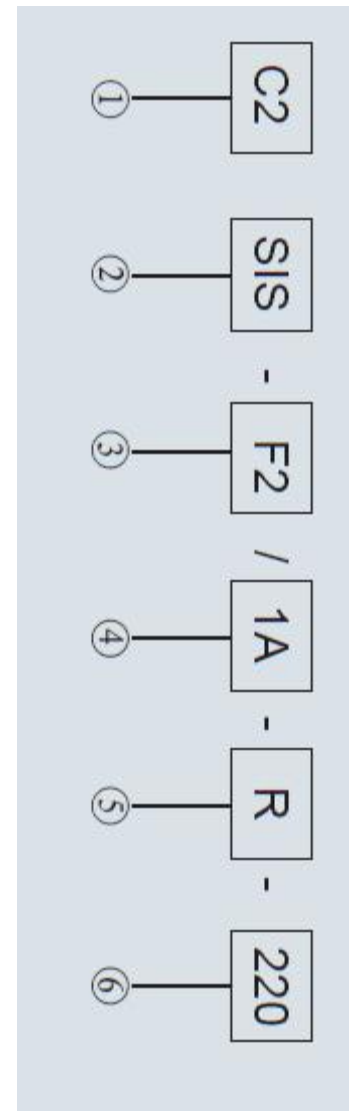
2A=2NO、2B=2NC、2C=1A1B+1A1B

⑤ Head color: R=red、G=green、Y=yellow、W=white、B=black、BL=blue

⑥ With lamp voltage: 12=12VDC、24=24VDC、36=36VDC、48=48VDC

110=110VAC、220=220VAC、380=380VAC

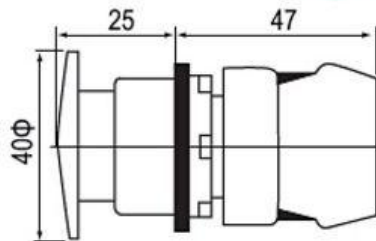
Note: Custom products over the selection can not explain clearly, please also specify when ordering.



Characteristics

Standard	3C, CE approved standard
Electrical capacitor Operation	Max insulation voltage 600VAC, Max thermal current 10A
Contact resistance	AC15 Type: 250VAC/16A, DC13 Type: 250VDC/0.6A
Insulation strength	Max 50MΩ
Insulation resistance	2500VAC 50Hz, 1 minute
Vibration resistance	500VDC below, 100MΩ above
Life	10g @40-500Hz
Mechanical life	Lamp 1,000hour, LED 1,000hour
Electrical life	Pushbutton switch: momentary > 3,000,000 lasting > 5,000,000 Selector switch: momentary > 3,000,000 lasting > 5,000,000 Key switch: momentary > 3,000,000 lasting > 5,000,000 Emergency switch: > 3,000,000
Storage temperature	Contact block AC15 250VAC/6A > 1,000,000 DC13 250VAC/0.6A > 1,000,000
Operation temperature	-10°C to 70°C (With no icing)

C2PNM4



大头按钮
Big button

[Click here for more...](#)

Authorized distributor of

