

# Techsense Bangladesh Ltd

## Rotary Actuators Series R1, Code- W1650502180

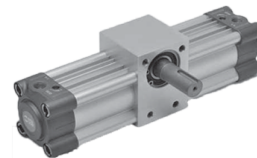
Rack-type rotary cylinders in various configurations:

- Configuration with standard magnet
  - Mechanical stroke adjustment
  - Version with male pinion or female hole
  - Special configurations on request
- The central body has ISO bore holes for wall fixing using ISO pin and/or flange fittings.

TECHNICAL DATA		32	40	50	63	80	100
Gaskets		NBR					
Operating pressure	bar	10					
	MPa	1					
	psi	145					
Temperature range	°C	- 10 to + 80					
Fluid		Filtered lubricated or unlubricated air. Lubrication, if used, must be continuous.					
Bores	mm	Ø 32 ; Ø 40 ; Ø 50 ; Ø 63 ; Ø 80 ; Ø 100					
Rotation angle		90°; 180°; 270°; 360°					
Type of construction		Extruded profile					
Configuration		Magnetic standard cushioned					
Axial load	N	2500	2800	4500	5600	8500	12200
Max. moment (6 bar - 0.6 Mpa)	Nm	4.5	12.5	16	32	70	120

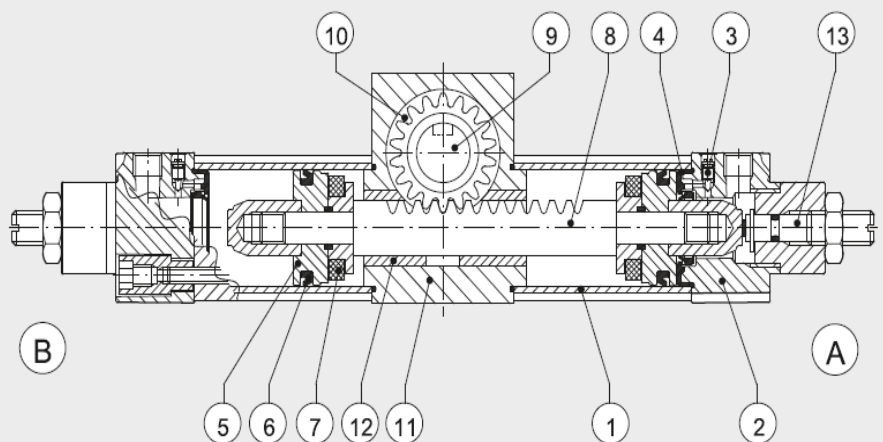
### General Attributes

- Type : R1-180° with adj
- Diameter (Bore) : 50 mm



### COMPONENTS

- ① BARREL: profiled anodised aluminium alloy
- ② HEAD: die cast aluminium
- ③ CUSHIONING NEEDLE: OT 58 with needle out movement safety system even when fully open
- ④ BUFFER + Static O-rings: NBR or FKM/FPM
- ⑤ PISTON: aluminium
- ⑥ PISTON GASKET: NBR
- ⑦ MAGNET: plastoferrite
- ⑧ RACK: AISI 304
- ⑨ PIGNON MALE/FEMALE: nitrided alloy steel
- ⑩ BALL BEARING
- ⑪ CENTRAL BODY: anodised aluminium
- ⑫ RACK GUIDE BUSH: self-lubricating sintered bronze
- ⑬ REGULATION SCREW: AISI 303



For further information please visit : <https://goo.gl/wfoWWW>



We are the authorized distributor of Metal Work in Bangladesh.

