

Techsense Bangladesh Ltd

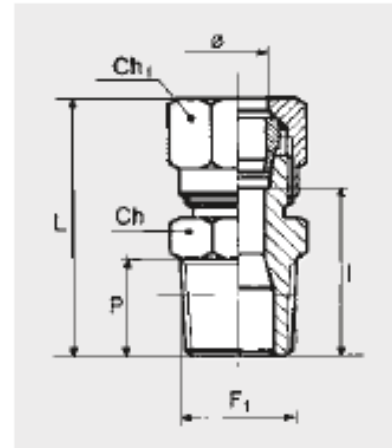
Straight, Male Conical (B1) Code- 2201006

- Body: OT58 brass
- Maximum pressure 870 psi, 6000 kPa 60 bar
- For use with copper tubes

GENERAL ATTRIBUTES

■ Ref.	: B1
■ Ø	: 8/6
■ F1	: 3/8
■ CH	: 17
■ CH1	: 14
■ P	: 11.5
■ L	: 33.5
■ I	: 20

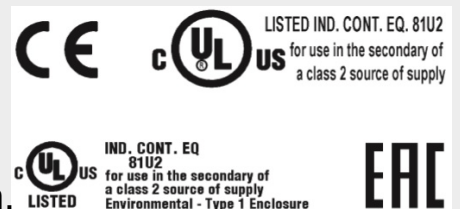
COMPONENTS



Wiring Diagram

TECHNICAL DATA

For further information please visit : <https://goo.gl/TPYAnf>



We are the authorized distributor of Metal Work in Bangladesh.