

Nut (C10) Code- 2310011

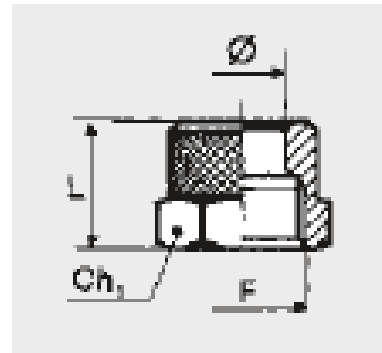
- Body: OT58 brass
- Maximum pressure 261 psi, 1800 kPa 18 bar

GENERAL ATTRIBUTES

| | |
|--------|-----------|
| ■ Ref. | : C10 |
| ■ Ø | : 15/12.5 |
| ■ F | : M20x1 |
| ■ Ch1 | : 22 |
| ■ L | : 16 |



COMPONENTS



Wiring Diagram

TECHNICAL DATA

For further information please visit : <https://goo.gl/TPYAnf>

