

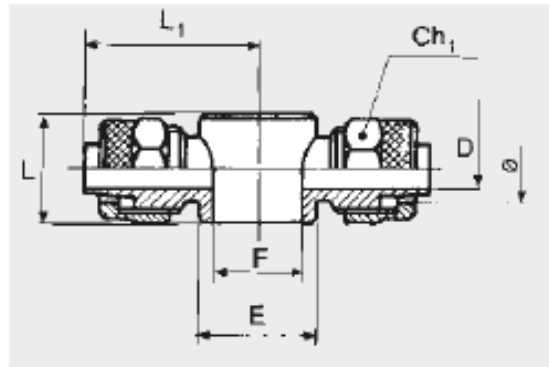
Double Banjo Body (D6) Code- 2406009

- Body: OT58 brass
- Maximum pressure 261 psi, 1800 kPa 18 bar

GENERAL ATTRIBUTES

■ Ref.	: D6
■ Ø	: 10/8
■ F	: 3/8
■ Ch1	: 16
■ L	: 20
■ L1	: 29
■ D	: 6.8
■ E	: 21

COMPONENTS



Wiring Diagram

TECHNICAL DATA

For further information please visit : <https://goo.gl/TPYAnf>

