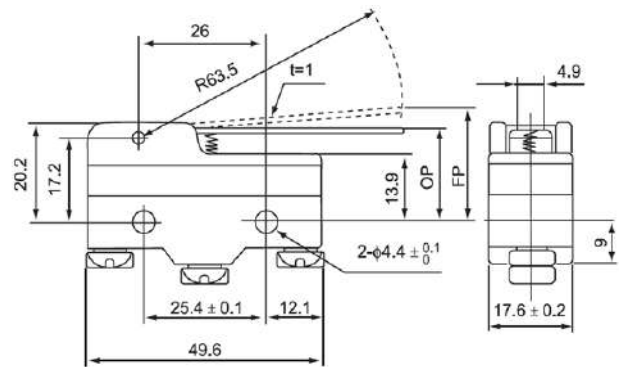


Micro Switch, Code : CM-1701

Micro switch is an electric switch that is actuated by very little physical force, through the use of a tipping-point mechanism. CM-1306 consists various of actuators. It has High switch on and off capacity(15A) , High accuracy , wide range of operation speed. Each type of CM series has solder terminal, screw terminal and tab terminal are selective where add A for solder terminal, add C for tab terminal, blank for screw terminal.

General Attributes

- Operating Force (Max.) : 70g
- Release Force (Min.) : 14g
- Pre Travel (Max.) : 10mm
- Over Travel (Min.) : 5.6mm
- Movement Differential : 1.27mm
- Free Position (Max.) : 28.2mm
- Operating Point : 21.5±0.5 mm
- Operation speed : 0.01mm-1m/sec
- Operating frequency : Mechanical: 240 operations /min. Electrical: 20 operations/min.
- Contact resistance : 15mΩ max. (initial value)
- Insulation resistance : 100mΩ min. (at 500VDC)
- Dielectric Strength : 1000VAC, 50/60 Hz for 1 minute between terminals of the same polarity
1500VAC, 50/60 HZ for 1 minute between current-carrying and non-current-carrying metal parts
1500VAC, 50/60 HZ for 1 minute between each terminal and ground
- Vibration : 10-55Hz, 1.5mm double amplitude
- Shock : Mechanical durable: 1, 000m/Sec² (about 100G'S)
Malfunction: 300m/Sec² (about 30G'S)
- Ambient temperature : General purpose type : -25°C to +80°C(With no icing),
Sealed type: -15°C to +80°C(With no icing)
- Humidity : General purpose type: 85% RH max., Sealed type: 95% RH max.
- Life : Mechanical: 20,000,000 operations/min.
Electrical: 500,000 operations/min.
- Weight : About 22 to 58g



Wiring Diagram

Application Notes

- For detecting passage of a moving part or for implementing an electronic limit stop.
- Door interlock on a microwave oven.
- Levelling and safety switches in elevators, vending machines.
- To detect paper jams or other faults in photocopiers
- In tamper switches on gate valves on fire sprinkler systems and other water pipe systems to know if a valve has been opened or shut.
- In appliances, machinery, industrial controls, vehicles, convertible tops and many other places for control of electrical circuit.
- To control small motors, solenoids, lamps or other devices.

For further information please visit : <https://goo.gl/d6VWHj>