

Warning Light , Code- C-1081

Warning Light gives an output signal that involves visual communication. Model C-2071 is a colored warning light on an instrument panel that warns us of danger to take precautionary steps. It is Long life warrant super bright.

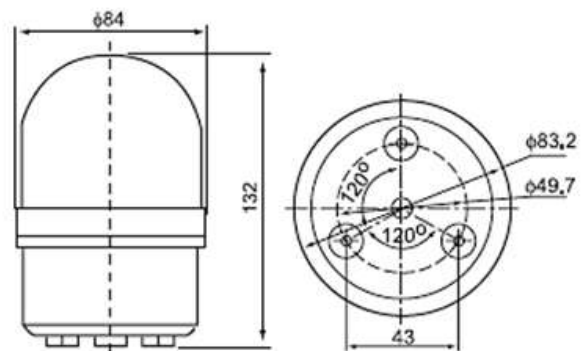
General Attributes

- Voltage : 110 V
- Color : Green



Application Notes

Use of Warning Lights in Emergency Medical Vehicle Response and Patient Transport.
 Suitable for alarm at a dangerous area in industrial and mineral enterprises, at the duty box, on the top of a vehicle etc.
 Use in Police, fire engine, ambulance, street sprinkler, truck.
 Use in Fog, Rainy, Snowy Mud Wind Season, Ideal for Emergency Situations.



Wiring diagram:

For further information please visit : <https://goo.gl/AmHu4z>

We are the authorized distributor of CNTD in Bangladesh.

