

Techsense Bangladesh Ltd

Hydrostatic Level Transmitter Code : S3300

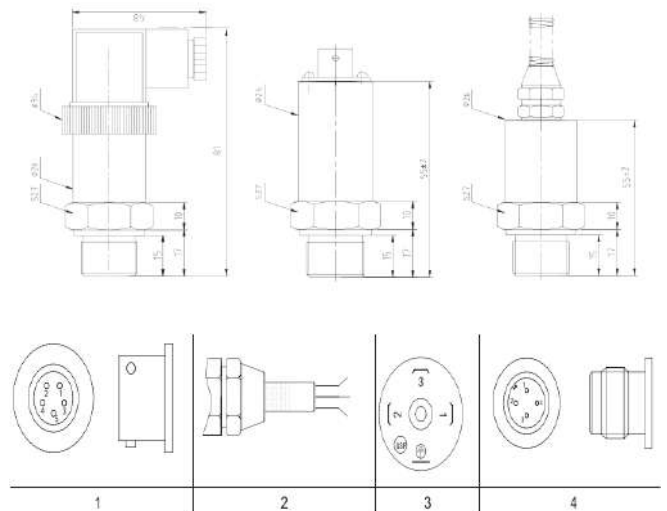
S3300 series standard level transmitter design with consummate encapsulation technology, the perfect assembly process insure the quality and performance of this series with high stability, high accuracy, leakage proof.

General Attributes

- Pressure range : 0 ~ 1mH₂O~1000mH₂O
- Pressure Range : 5 mBar ~ 40 Bar
- Overload : 150% of FS
- Output : 4-20mA, 0-5V, 0.5-4.5V, 0 - 10V
- Power supply : 12-36VDC
- Combine error : 0.25%FS; 0.5% FSO
(Including Linearity, Repeat ability & Hysteresis)
- Accuracy : 0.25% of FS; 0.5% of FS
- Long term stability : ± 0.2%FS/year
- Repeatability : ±0.2%FSO
- Response time : <10ms
- Pressure connection : 1/4" BSP (M)
- Compensated Temp. : - 20°C to 85°C
- Operating Temp. : - 40°C to 125°C
- Protection grade : IP65

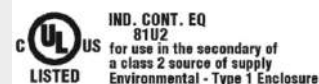
Application Notes

Distance measurement
 Object detection
 Indicate the position of objects and materials.
 Determine the dimensions of objects such as height, width and diameter.
 level control for caustic liquids
 Roll diameter, tension contro



Dimensions

For further information please visit : <https://goo.gl/tb2c4b>



We are the authorized distributor of OMICRON in Bangladesh.