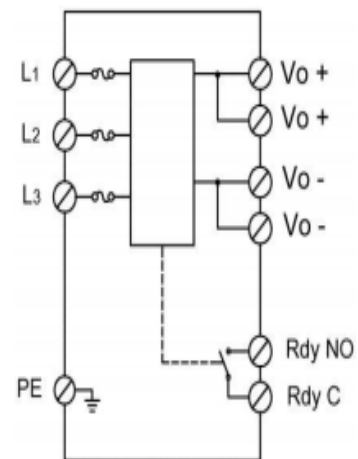


DIN Rail Mount Power supply, Code- BAE0009

Balluff's Short-circuit-proof, single or triple-phase power supplies for automation are approved according to CE/TÜV, UL and CCC. Different voltages of 12 V, 24 V and 48 V can be selected. The most important features: top-hat rail assembly, status display, regulatable output voltage, parallel connection, ready and alarm output. Output power of 18 to 960W. Protection class IP20.

General Attributes

- Dimension : 150 x 124 x 111.9 mm
- Connection : 0.25 mm²...2.5 mm²
- Setting range : 22.5...28.5 VDC
- Switching frequency : 80000 Hz
- Input voltage : 400...500 V AC, 3-phasing
- Rated output current : 20 A
- Output voltage : 24 VDC
- Ambient temperature : -30...70 °C
- Storage temperature : -40...85 °C
- Protection type IEC 60529 : IP20
- Temperature Coefficient
max : ±0.03 %/K
- Housing material : Plastic
- Isolation resistance : ≥ 100 Ohm
- Basic standard : EN 61204



Wiring diagram

Application Notes

- For power supply in PLCs
- In the automobile industry
- Television receivers as a switch-mode power supply
- For Powering of LED circuits
- For Central power distribution

For further information please visit : <https://goo.gl/ISPpQS>

We are the authorized distributor of Balluff in Bangladesh.