

Techsense Bangladesh Ltd

Power Supply Unit for The Control Cabinet, Code- BAE0004

Balluff's Short-circuit-proof, single or triple-phase power supplies for automation are approved according to CE/TÜV, UL and CCC. Different voltages of 12 V, 24 V and 48 V can be selected. The most important features: top-hat rail assembly, status display, regulatable output voltage, parallel connection, ready and alarm output. Output power of 18 to 960W. Protection class IP20.

General Attributes

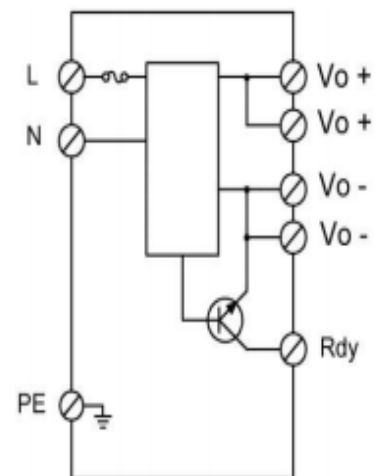
- Dimension : 40.5 x 90 x 114 mm
- Connection : 0.25 mm²...2.5 mm²
- Setting range : 22.5...28.5 VDC
- Switching frequency : 100000 Hz
- Input voltage : 100...240 V AC, 1-phasing
- Output voltage : 24 VDC
- Ambient temperature : -40...70 °C
- Storage temperature : -40...85 °C
- Protection type IEC 60529 : IP20
- Residual ripple max : ±0.03 %/K
- Housing material : Plastic



Application Notes

- For power supply in PLCs
- In the automobile industry
- Television receivers as a switch-mode power supply
- For Powering of LED circuits
- For Central power distribution

Wiring diagram



For further information please visit : <https://goo.gl/MjG5EC>

We are the authorized distributor of Balluff in Bangladesh.