

# Techsense Bangladesh Ltd

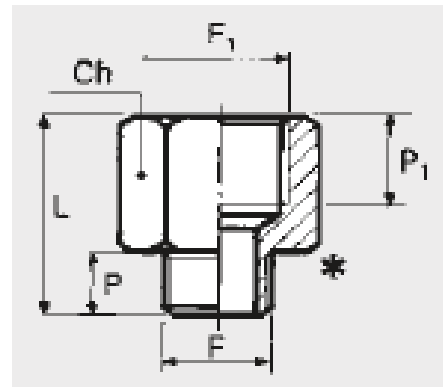
## Reducer, Parallel (A5/z) Code- 2152004

Body: OT58 brass • Maximum pressure 870 psi, 6000 KPa 60 bar.

### GENERAL ATTRIBUTES

■ Ref.	: A5/Z
■ F	: 1/4
■ F1	: 1/4
■ CH	: 17
■ P	: 8
■ P1	: 8
■ L	: 22.5

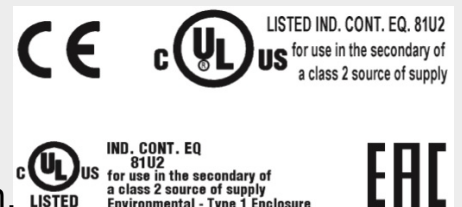
### COMPONENTS



Wiring Diagram

### TECHNICAL DATA

For further information please visit : <https://goo.gl/TPYAnf>



We are the authorized distributor of Metal Work in Bangladesh.