

Techsense Bangladesh Ltd

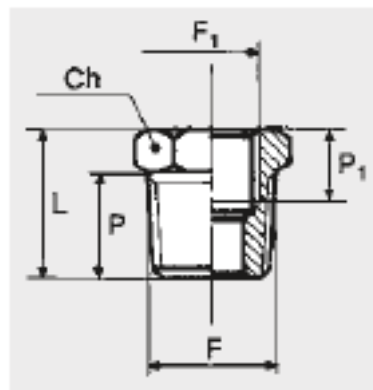
Reducer Conical Code- 2104002

Body: OT58 brass • Maximum pressure 870 psi, 6000 KPa 60 bar.

GENERAL ATTRIBUTES

- Ref. : A4
- F : 3/8
- F : 1/8
- CH : 17
- P : 11.5
- P1 : 7
- L : 17

COMPONENTS



Wiring Diagram

TECHNICAL DATA

For further information please visit : <https://goo.gl/TPYAnf>

