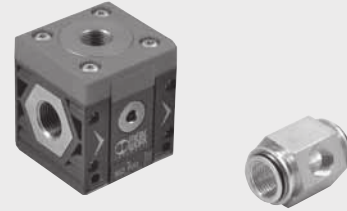
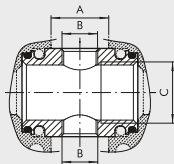


The air take-off is a connecting element that is mounted between two Syntesi modules. The 2-way version, made of metal and having restrained dimensions, has a threaded port upwards and one downwards. The 4-way version, in technopolymer, has a threaded port on each side. This gives or four additional air outlets for use as required. All Syntesi modules come with two threaded ports, one on the front and one on the back, for use as air take-off.



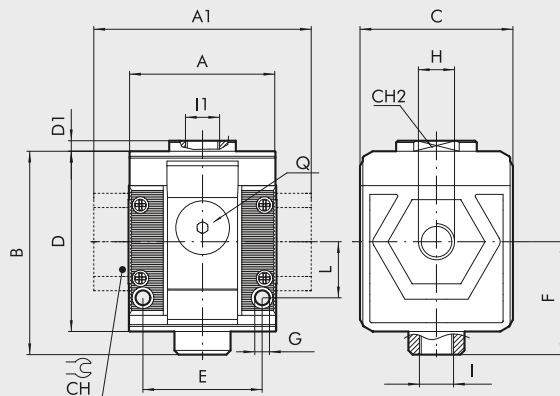
TECHNICAL DATA	AIR TAKE-OFF		AIR TAKE-OFF, 4-WAY	
	SIZE 1	SIZE 2	SIZE 1	SIZE 2
Flow rate of the air take-off at 6.3 bar (0.63 MPa; 91 psi) ΔP 1 bar (0.1 MPa; 14 psi) NI/min	1550	7000	500 - 2000	1500 - 4500
	55	248	18 - 71	53 - 160
Usage temperature and pressure	Given by the Syntesi modules it's connected to			
Weight	62	75	100	306
Fluid	Compressed air or other inert gases			

DIMENSIONS 2 WAY-VERSION



	SIZE 1	SIZE 2
A	15.5	27
B	1/8"	3/8"
C	3/8"	1/2"

DIMENSIONS 4 WAY-VERSION



	SIZE 1			SIZE 2			
H (threaded port)	1/8"	1/4"	3/8"	3/8"	1/2"	3/4"	1"
A	42			61			
A1	-	-	44	-	-	95	95
B	58			81			
C	44			61			
CH	-			-	-	32	36
CH2	19			-			
D	51.5			70.5			
D1	3			-			
E	33.5			47.5			
F	32.2			42.7			
G	Hole for M4 screws			Hole for M5 screws			
I	1/8"			1/4"			
I1	1/4"			3/8"			
L	16			22.5			
Q (no. 2 add. air takes-off)	1/8"			1/4"			

KEY TO CODE FOR 4-WAY VERSION

56	1	1	P	20	1
SYNTESI	SIZE	THREADED INPUT CONNECTION	ELEMENT	TYPE	THREADED OUTPUT CONNECTION
56 Syntesi 5X Syntesi anti-corrosion	1 Size 1	0 Without bushing 1 1/8" port 2 1/4" port 3 3/8" port	P Air take-off	20 4-way	0 Without bushing 1 1/8" port 2 1/4" port 3 3/8" port
	2 Size 2	0 Without bushing 3 3/8" port 4 1/2" port 5 3/4" port 6 1" port			0 Without bushing 3 3/8" port 4 1/2" port 5 3/4" port 6 1" port

PURCHASE ORDER CODES HAVING A MORE FREQUENT USE CODES

Code	Description
AIR INTAKE, 2-way version	
5610P100	PA SY1
5620P100	PA SY2
AIR INTAKE, 4-way version	
5610P200	PA 4-way SY1 without bushing
5611P201	PA 4-way SY1 1/8
5612P202	PA 4-way SY1 1/4
5613P203	PA 4-way SY1 3/8
5620P200	PA 4-way SY2 without bushing
5623P203	PA 4-way SY2 3/8
5624P204	PA 4-way SY2 1/2
5625P205	PA 4-way SY2 3/4
5626P206	PA 4-way SY2 1
NOTE	
Anti-corrosion version	
5X	
Example	
5X11P201	PA 4-way SY1 1/8 anti-corrosion

N.B. Besides the below mentioned codes, you can order elements composed at your will according to the key to codes.